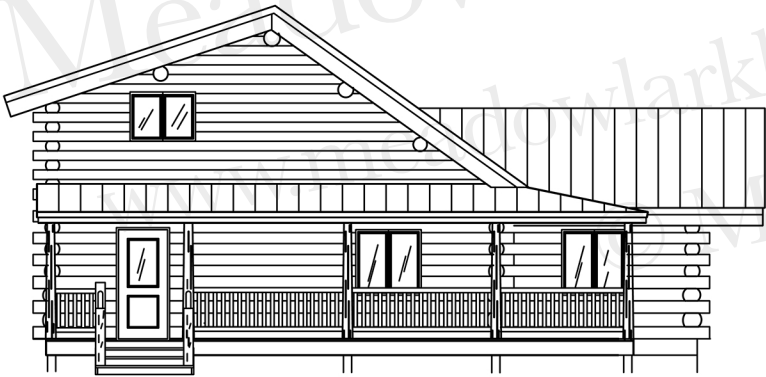


Main Floor: 872 Sq. Ft.
Loft: 403 Sq. Ft.
TOTAL: 1,275 Sq. Ft.

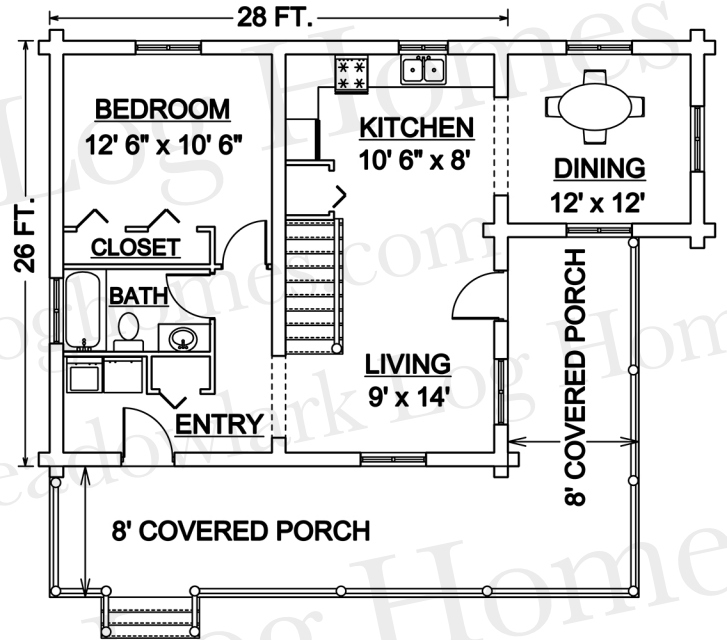
Covered Porch: 400 Sq. Ft.



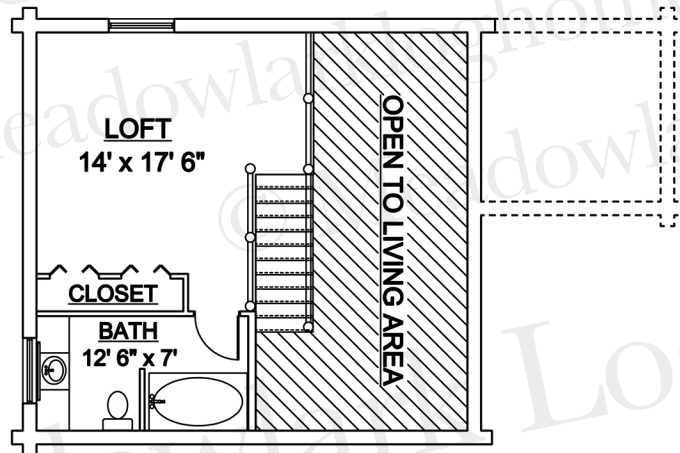
FRONT ELEVATION



RIGHT ELEVATION



MAIN FLOOR 872 Sq. Ft.



LOFT 403 Sq. Ft.